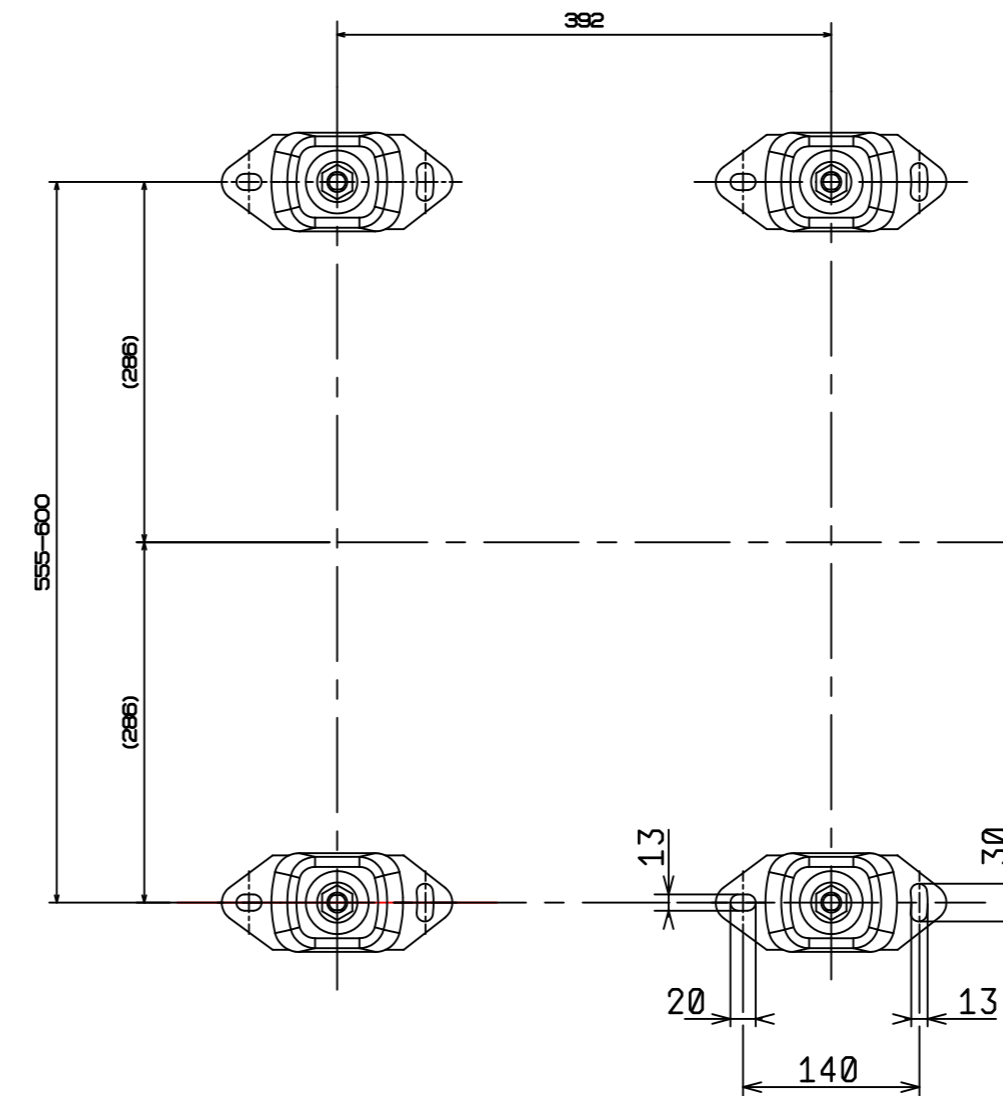
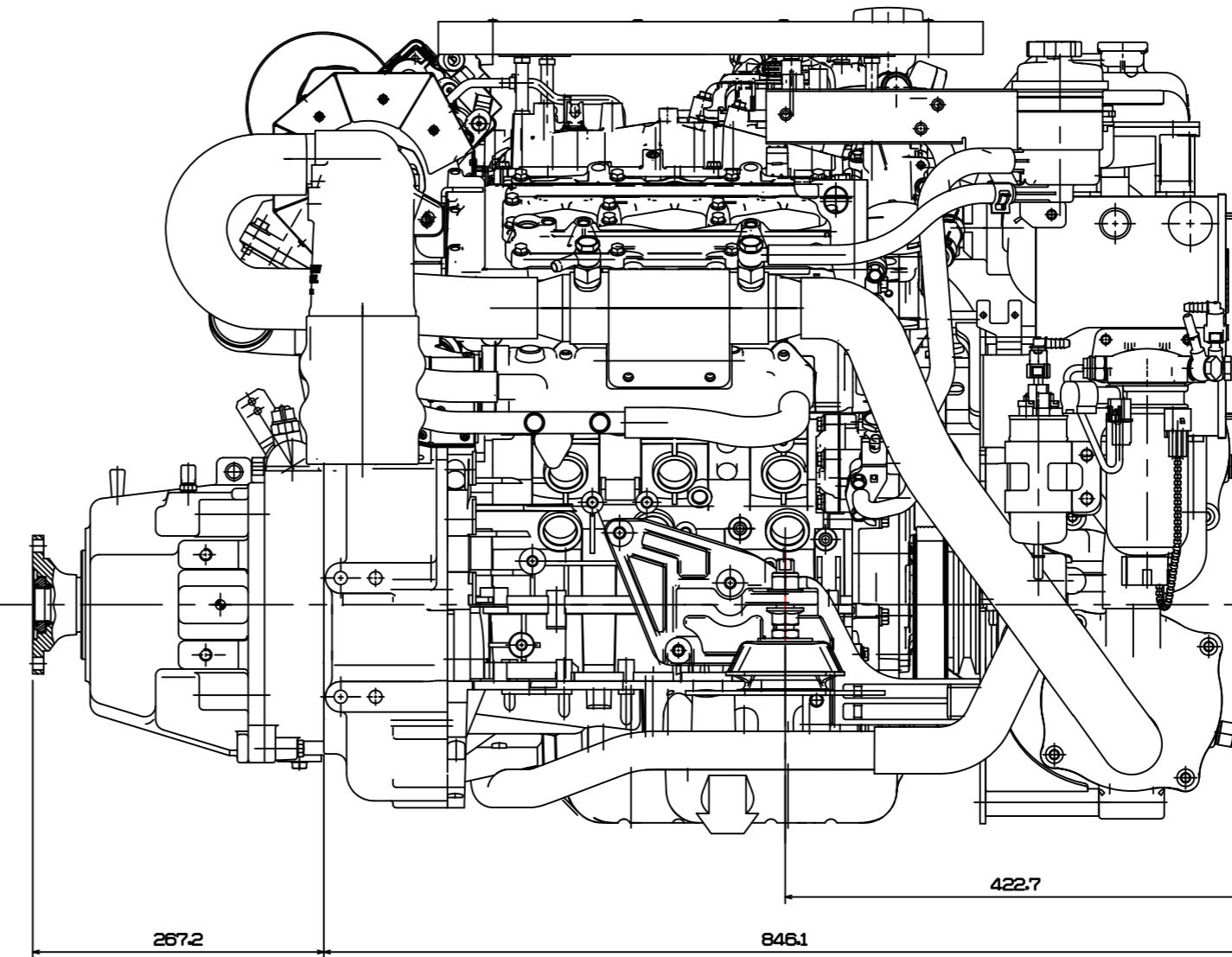


CRANK SHAFT



- ① SEAWATER PUMP
- ② INTERCOOLER
- ③ HEAT EXCHANGER
- ④ POWER STEERING & GEARBOX OIL COOLER
- ⑤ ECU CASE WITH ENGINE CONTROL UNIT & RELAY ASSY
- ⑥ COOLANT EXPANSION TANK
- ⑦ POWER STEERING OIL RSV.TANK
- ⑧ FUEL FILTER
- ⑨ FUEL PUMP FROM FUEL TANK(LOW PRESSURE) :  $\phi 8\text{mm}$
- ⑩ ELECTRIC ENGINE OIL DRAIN PUMP
- ⑪ BRACKET FOR SHIFTING POSITION
- ⑫ EMERGENCY ENGINE STOP SWITCH
- ⑬ SEAWATER HOSE CONNECTION :  $\phi 46\text{mm}$
- ⑭ ACCEL POSITION SENSOR WITH THROTTLE CABLE CONNECTION
- ⑮ ENGINE OIL LEVEL GAUGE

**NOTES**

1. 치수 따지 말 것. (DO NOT SCALE)

This document is the property of BUKH powering marine safety and without BUKH's written consent it is not to be disclosed, reproduced in whole or in part or used for manufacture for anyone other than BUKH.

Pos.	Quantity	Material	Model no./raw matr. dim.	Item no.
	1			
Projection method:		Surface condition: EN/ISO 1302	Other standards:	Sign. <i>MS</i> Date: 28/10-15
Scale:	1:6	Geometrical tolerances: DS/ISO 1101		Contr. Date:
Lineary unit:	mm.	General tolerances: ISO 2768-mK		Remarks:
Title:	Installation S270J-ZF63C			Replaces:
				Replaced by:
Rev.   Date	powering marine safety		Drg. no.	Format
03   02   01			009M9602	A2
			Rev.	